

E5 Cam Latch Actuator

Zinc · Push-to-close · Hand, key or tool operated · Single and two point

Features

- Single hole installation
- Latched / unlatched indicator
- Push-to-close action

Product Performance

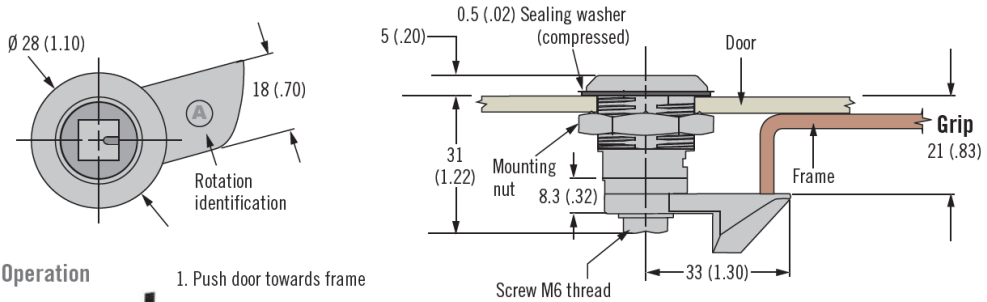
- Maximum static load: 330 N
- Mounting nut maximum tightening torque: 10 N.m
- Screw maximum tightening torque: 5 N.m for two point actuator only

Material

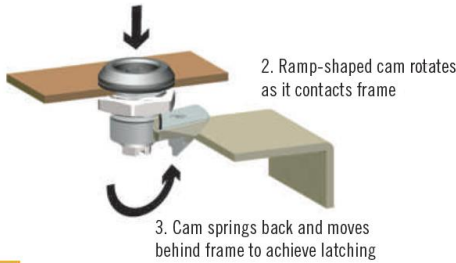
- Zinc alloy, powder coated and steel, zinc plated



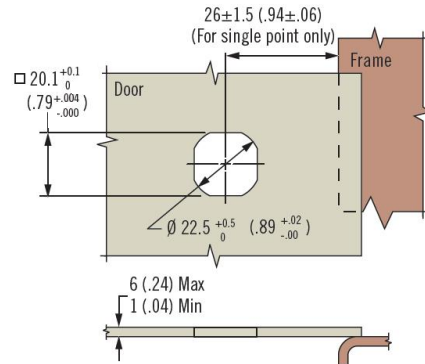
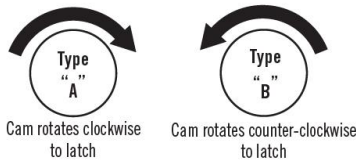
Single Point Spring-Loaded (Type A tool operated shown)



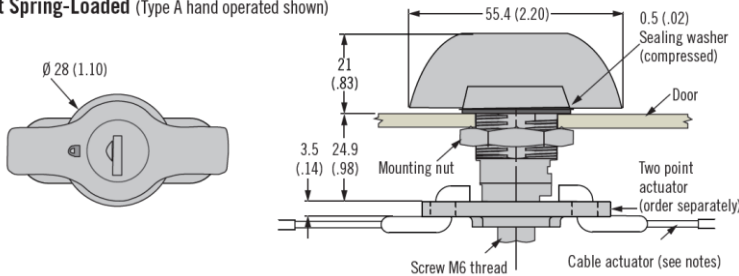
Operation



Rotation

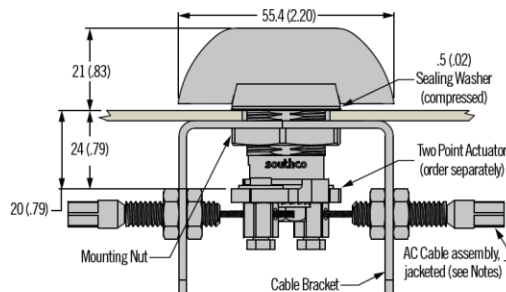


Two Point Spring-Loaded (Type A hand operated shown)



Two Point Actuator for bare cable

(order separately)



Notes

- Single Point: Push-to-close action in unlocked position only and key inserted (cylinder lock)
- Two Point: Order actuator separately
- Contact Gripwell for lock core and key choice selector
- Two point to be used with Southco's R4 rotary series latches and cables
- Two point push to close action: Internal spring causes return of driver and actuator to original latched position when driver is released after opening. Ideal for use with cables and rotary latches.

Hand / Key Operated

F Finish

- 2 Bright chrome (not available for wing type)
- 5 Black powder coated

T Type

- 5 Cylinder lock keyed alike CH751
- 9 Wing / T-handle / L-handle

R Rotation

- 51 Type A single point (for visual identification cam stamped A or B)
- 52 Type B single point (for visual identification cam stamped A or B)
- TR Type A two point (order actuator separately)
- TL Type B two point (order actuator separately)

K Key options

- 0 No keys supplied (order separately)
- 3 1 Overmolded key supplied

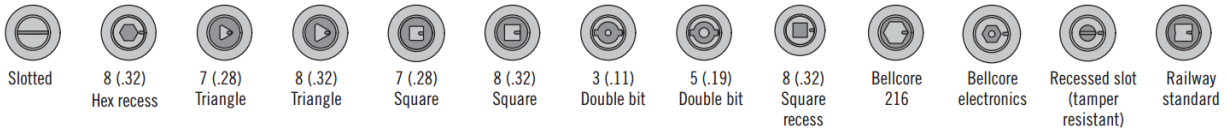
E5 - T - L F - R 0 - 1 K

Latch supplied fully assembled

Lock style	T = 5		T = 9	
	Cylinder Lock	Wing	T-handle	L-handle
Non-locking (omit last two digits of part number)	~	30	60	70
Keyed CH751 (lock core finish matches handle finish)	~	31	61	71
Keyed CH751 (stainless steel scalp shuttered)	40	~	~	~
Keyed R001 reversible (stainless steel scalp shuttered)	~	32	62	72
Without lock core (omit last two digits of part number) <i>Contact Gripwell for lock core selection</i>	~	33	63	73

Tool Operated

H Head Styles



F Finish

- 2 Bright chrome
- 5 Black powder coated

H Head style

- 00 Slotted
- 01 8 (.32) Hex recess
- 02 7 (.28) Triangle
- 03 8 (.32) Triangle
- 04 7 (.28) Square
- 05 8 (.32) Square
- 06 3 (.11) Double bit
- 07 5 (.19) Double bit
- 08 8 (.32) Square recess
- 13 Bellcore 216
- 19 Bellcore electronics
- 21 Recessed slot (tamper resistant)
- 22 Railway standard

R Rotation

- 51 Type A single point (for visual identification, cam stamped A or B)
- 52 Type B single point (for visual identification, cam stamped A or B)
- TR Type A two point (order actuator separately)
- TL Type B two point (order actuator separately)

E5 - 6 - H F - R 0

Latch supplied fully assembled

E5 Cam Latch Accessories

Keys and flush mount bracket

Material

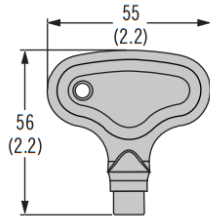
- Tool key: Zinc alloy or nylon
- Overmolded key: Nickel plated and ABS plastic black
- Flat key: Nickel plated



Keys Zinc or Nylon

H Head style

- 2 3 (.11) Double bit
- 3 7 (.28) Triangle
- 4 7 (.28) Square
- 7 8 (.32) Triangle
- 8 8 (.32) Square recess
- 9 5 (.19) Double bit (nylon only)
- 10 8 (.32) Square male (zinc only)
- 11 Bellcore electronics
- 12 Bellcore 216 (zinc only)
- 14 Railway Standard (zinc only)



F Finish

- 1 Plated zinc
- 2 Natural zinc
- 3 Nylon, black

E3 - H - F

Head Styles

- 2 3 (.11) Double bit
- 3 7 (.28) Triangle
- 4 7 (.28) Square
- 7 8 (.32) Triangle
- 8 8 (.32) Square recess
- 9 5 (.19) Double bit
- 10 8 (.32) Square male
- 11 Bellcore electronics
- 12 Bellcore 216
- 14 Railway Standard

Overmolded Keys

Key CH751



Key R001



Flat Keys

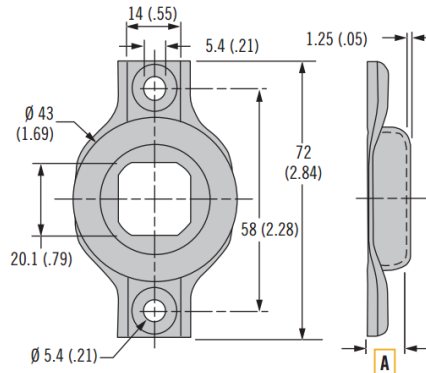
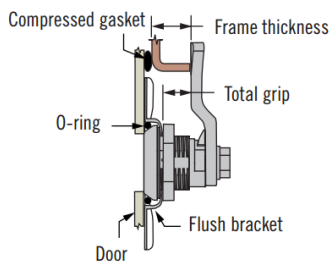
Key CH751



Part Number

- Overmolded key CH751:
 - Single: PK-10-10-05
 - Pair: PK-10-01-05
- Overmolded key R001:
 - Single: PK-10-10-05-KR001
 - Pair: PK-10-01-05-KR001
- Flat key
 - Pair: PK-10-01

Flush Mount Bracket



Material

- Stainless steel or galvanized steel with rubber o-ring

A	Part Number	Material
6.6	E3-77-1-12	Galvanized steel
6.6	E3-77-1-24	304 Stainless steel

To calculate the **Total Grip**, use the following formula: **Frame Thickness + Compressed Gasket - A**.
Use this **Total Grip** with the appropriate E5 tables in the *SOUTHCO® Handbook* to determine cam type.

E5 Cam Latch Accessories

Hooked cam · Multi-point actuator · Cable brackets



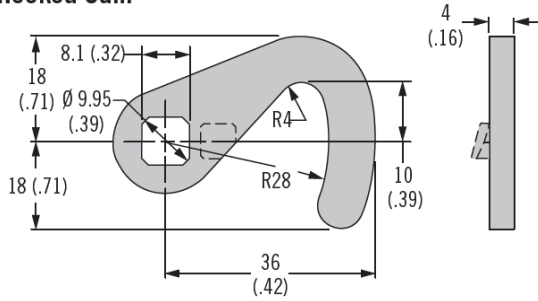
Material

- Hook cam: Steel, plated
- Multi-point actuator: Zinc alloy, plated
- Cable bracket: Steel, plated

Notes

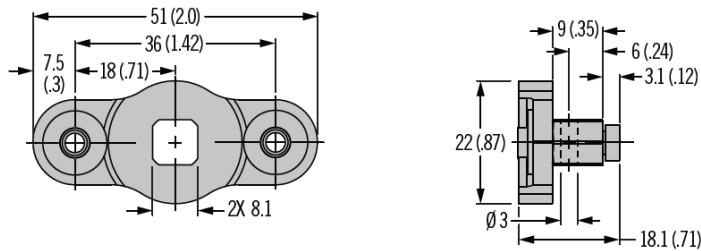
- Not to be used with low profile E5

Hooked Cam



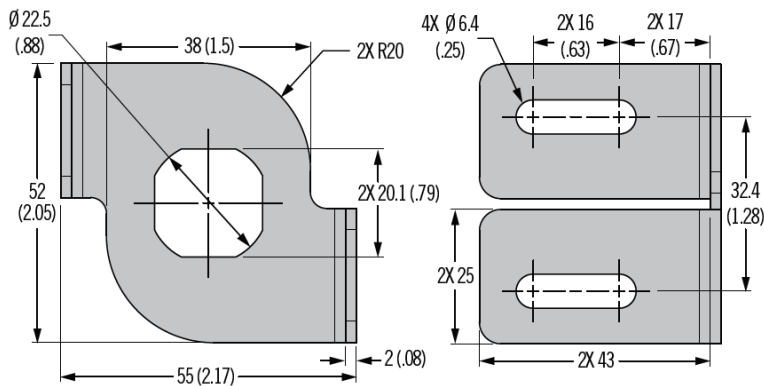
Hooked Cam Part Number	
E5-6200	No stop
E5-6210	Stop for clockwise rotation
E5-6220	Stop for counter-clockwise rotation

Multi-Point Actuator



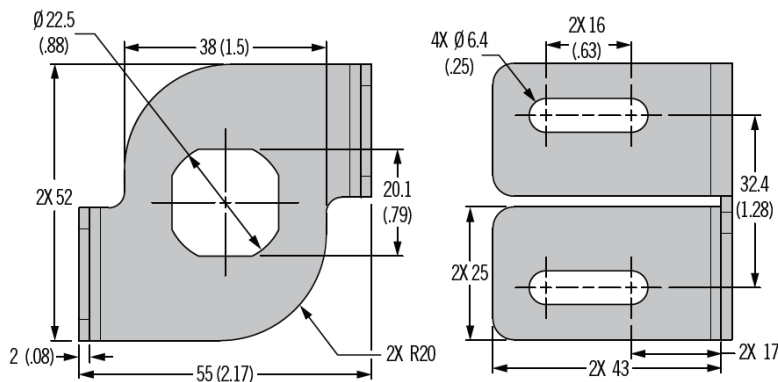
Part Number
A5-99-136

Cable Bracket – Counter Clockwise Rotation



Part Number
AC-0-49617-11-L

Cable Bracket – Clockwise Rotation



Part Number
AC-0-49617-11-R

E5 Cam Latch Accessories

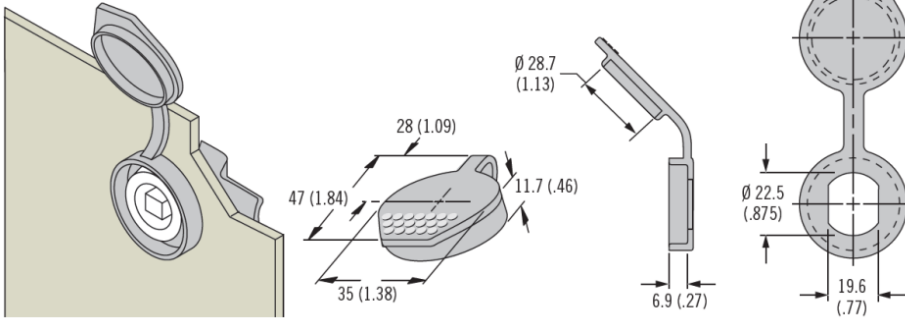
Sealing cover · Sealing washer · Pull tab · Padlock bracket



Material

- Sealing washer: Neoprene natural
- Sealing cover: Thermoplastic elastomer, black
- Padlock bracket: Stainless steel, black powder coated
- Pull tab: Nylon, black

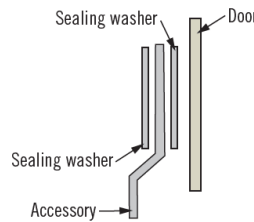
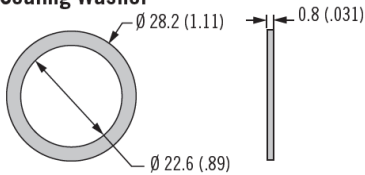
Sealing Cover



Installation Notes

- To provide sealing: use two sealing washers and add compressed thickness of each washer and accessory thickness to your door thickness range

Sealing Washer

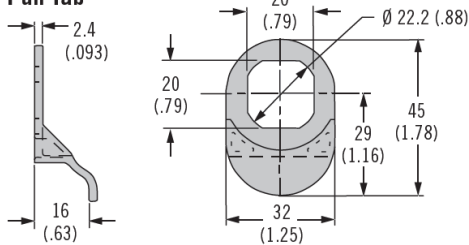


Notes

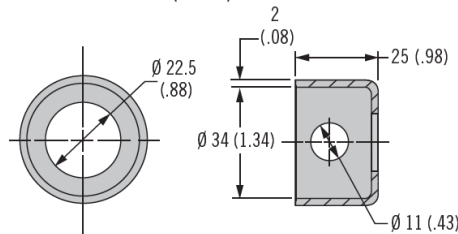
- Sealing cover for use with tool operated and cylinder lock E5 only
- Sealing washer for use with all E5 products
- Padlock brackets and pull tabs for use with tool operated and cylinder lock E5 only

Type	Part Number	Grip Adjustment Formula
Sealing washer	E5-17	Add 0.4 (0.02) compressed height to door thickness
Sealing cover	90-3	Add 2.3 (.090) to door thickness

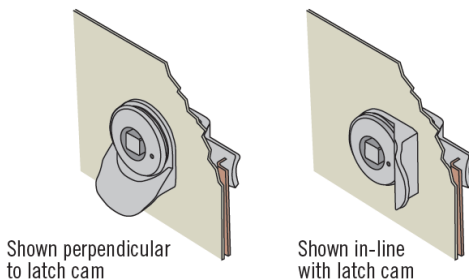
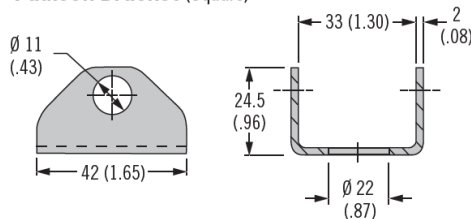
Pull Tab



Padlock Bracket (Round)



Padlock Bracket (Square)



Shown perpendicular to latch cam

Shown in-line with latch cam

Type	Part Number	Grip Adjustment Formula
Padlock bracket square	E3-77-101-31	Add 2 (.08) to door thickness
Padlock bracket round	E3-77-102-31	Add 2 (.08) to door thickness
Pull tab	E5-18	Add 2.4 (.093) to door thickness

southco
We are proud to be
Southco's authorized
distributor of over 20 years